

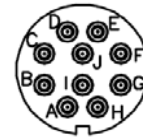
BEI INCREMENTAL ENCODER HS35 Hollow Shaft DUAL OUTPUT OPTION



The dual output option for the HS35 hollow shaft encoder uses two sets of internal electronics to send identical isolated output signals to two separate, mechanically parallel M18 connectors. The dual output option is ideal for providing redundant encoder signals or to supply two separate controllers from a single encoder. If necessary, each circuit can be powered independently, enabling the encoder to provide outputs at two different voltage levels. The HS35 is a heavy-duty design with a rugged cast metal housing, dual preloaded bearings, rotating shaft seals and sealed connectors, giving it NEMA 4, 13 and IP65 ratings. It can accommodate a variety of shaft bores, up to 1 inch in diameter, and has a compact installed package length of just over 2 inches.

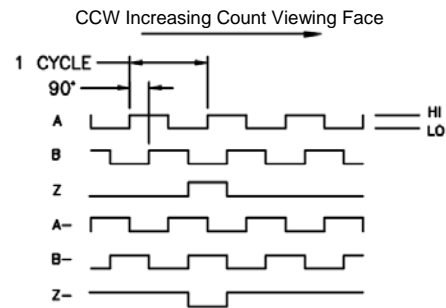
PINOUT (X2)

PIN	FUNC TION
A	CHANNEL A
B	CHANNEL B
C	CHANNEL Z *
D	+VDC **
E	N/C
F	0V
G	CASE GND
H	CHANNEL A/
I	CHANNEL B/
J	CHANNEL Z/ *



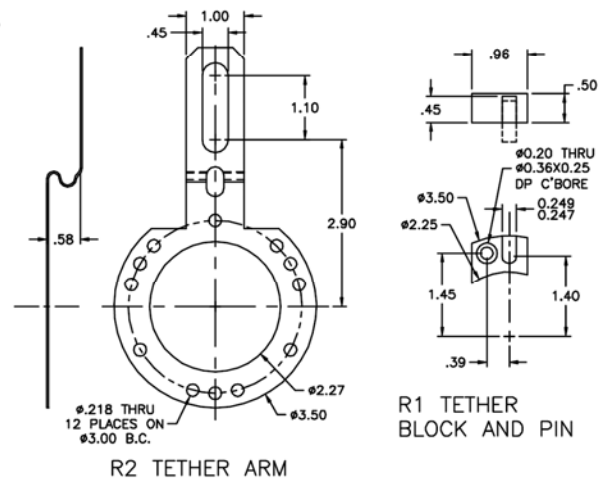
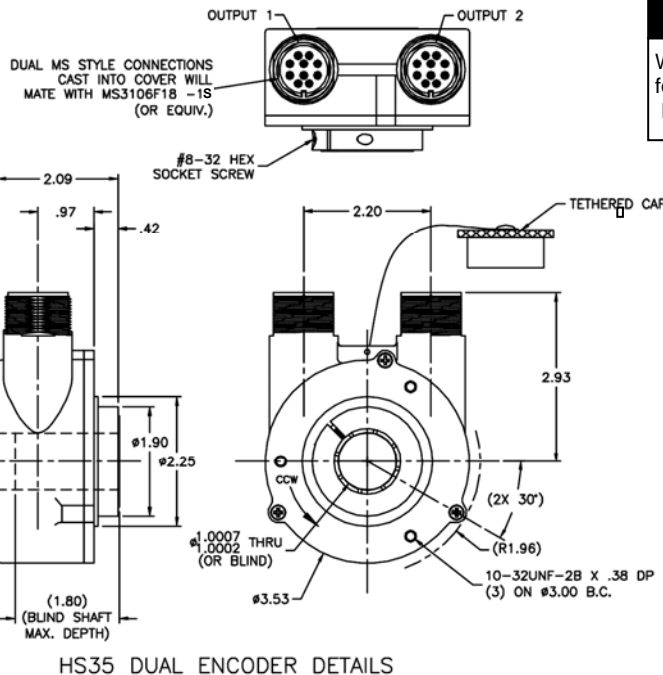
* Index location is displaced 180° (Mechanical) on 2nd output
 ** +VDC for output 1 does not have to be the same as for output 2

OUTPUT WAVEFORMS



ORDERING NOTE

When ordering the dual output option include "D" in the designation for output termination on your model number.
 Example: HS35F - 100 - R1 - SS - 2048 - ABZC - 7272 - DM18



Dimensions are in inches unless otherwise specified



Tel: 805-968-0782 / 800-350-2727 | Fax: 805-968-3154 / 800-960-2726
 7230 Hollister Ave., Goleta, CA 93117 | www.beisensors.com
 Rev. 06/11

These commodities, technology or software if exported from the United States must be in accordance with the Bureau of Industry and Security, Export Administration Regulations. Diversion contrary to U.S. law is prohibited.