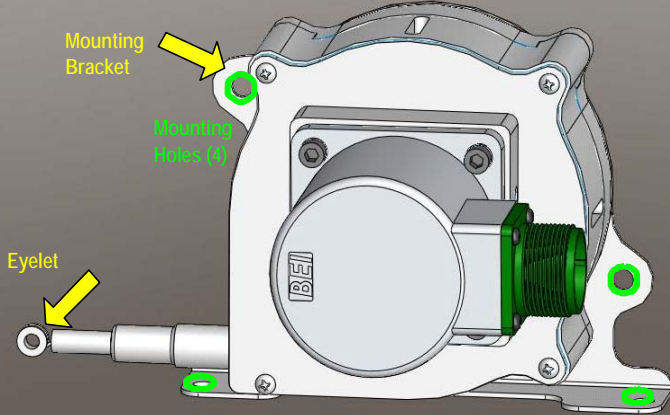


LT25 Installation Instructions

1. Mount the LT25 securely to a stable, flat surface using the mounting bracket with 1/4" (6mm) max. diameter fastener.
2. Attach the cable to your moving equipment using the eyelet provided (M4, #8 screw or 3/16" pin)



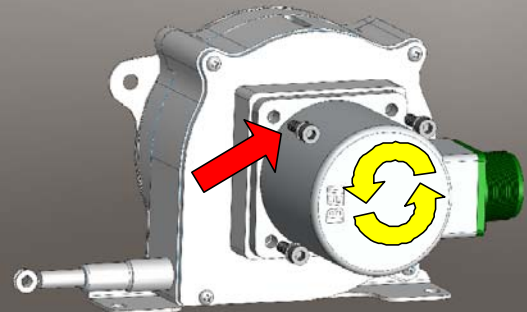
- Damage may occur if cable is released and allowed to retract without tension.
- Make certain the cable path is clear of objects or sharp edges to prevent cable damage.
- Cable should exit as straight as possible. A pulley may be used to redirect it.

BEISENSORS

7230 Hollister Avenue
Goleta, CA 93117
Tel: 805968-0782 Fax: 805968-3154
www.beisensors.com

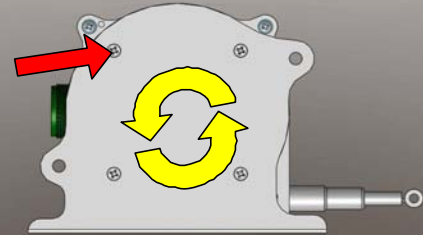
02117001 Rev 06/10

How to change encoder position



Remove the four screws on encoder flange (use 5/32" hex driver), rotate encoder in 90° increments and tighten screws to approx. 13 in -lb.

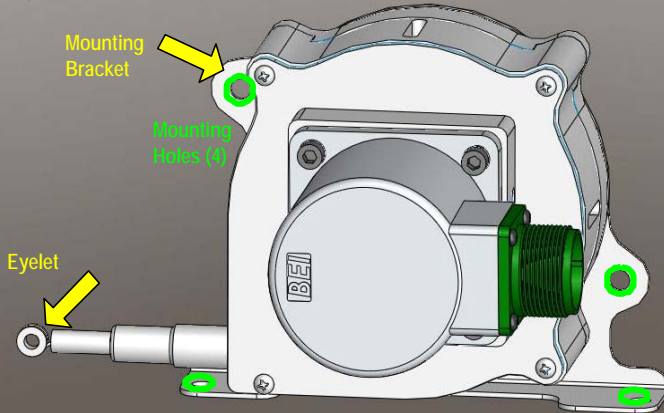
How to change mounting bracket position



Remove the four screws as shown with a PH -2 (Phillips) driver, reposition in 90° increments, and tighten screws to approx. 13 in -lb.

LT25 Installation Instructions

1. Mount the LT25 securely to a stable, flat surface using the mounting bracket with 1/4" (6mm) max. diameter fastener.
2. Attach the cable to your moving equipment using the eyelet provided (M4, #8 screw or 3/16" pin)



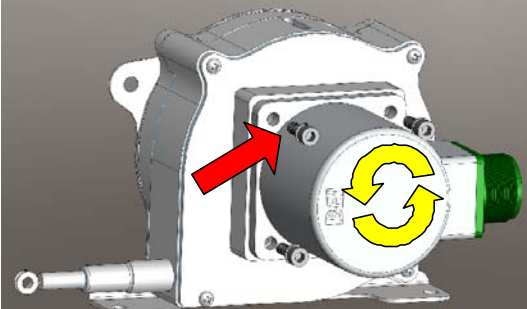
- Damage may occur if cable is released and allowed to retract without tension.
- Make certain the cable path is clear of objects or sharp edges to prevent cable damage.
- Cable should exit as straight as possible. A pulley may be used to redirect it.

BEISENSORS

7230 Hollister Avenue
Goleta, CA 93117
Tel: 805968-0782 Fax: 8059683154
www.beisensors.com

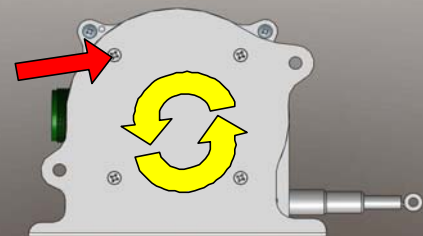
02117001 Rev 06/11

How to change encoder position



Remove the four screws on encoder flange (use 5/32" hex driver), rotate encoder in 90° increments and tighten screws to approx. 13 in -lb.

How to change mounting bracket position



Remove the four screws as shown with a PH -2 (Phillips) driver, reposition in 90° increments, and tighten screws to approx. 13 in -lb.