

Dual Output Drawworks HS35 Encoder

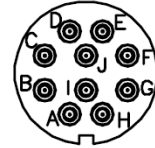


The dual output HS35 drawworks encoder combines rugged, heavy-duty features into a unique through-shaft style for use as a winch-turns counter in the drawworks system of oil rigs. The hard-anodized metal housing, sealed connector, IS rating, dual bearings and shaft seals for NEMA 4 and 13 (IP65) ratings all add up to a very rugged encoder built to live in this harsh oil field environment.

The dual output drawworks HS35 encoder can supply simultaneous position feedback to two separate systems from a single encoder. Since the connectors are mechanically parallel and electrically isolated, connecting to a second system and routing the cable is straightforward. Additionally, the outputs can even have different resolutions with use of interpolation.

PINOUT

PIN	FUNCTION
A	CHANNEL A
B	CHANNEL B
C	CHANNEL Z(*)
D	+VDC
E	N/C
F	0V
G	CASE GND
H	CHANNEL A/
I	CHANNEL B/
J	CHANNEL Z/ (*)

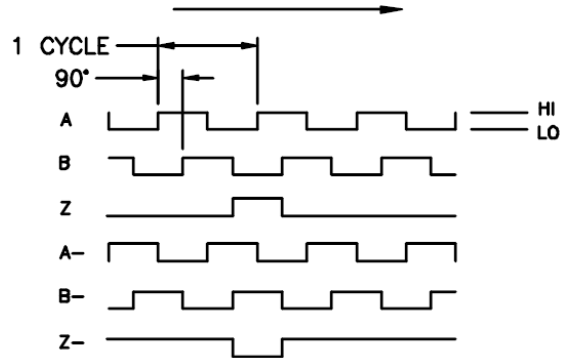


PINOUT

(*) Index location is displaced 180° (Mechanical) on 2nd output

OUTPUT WAVEFORMS

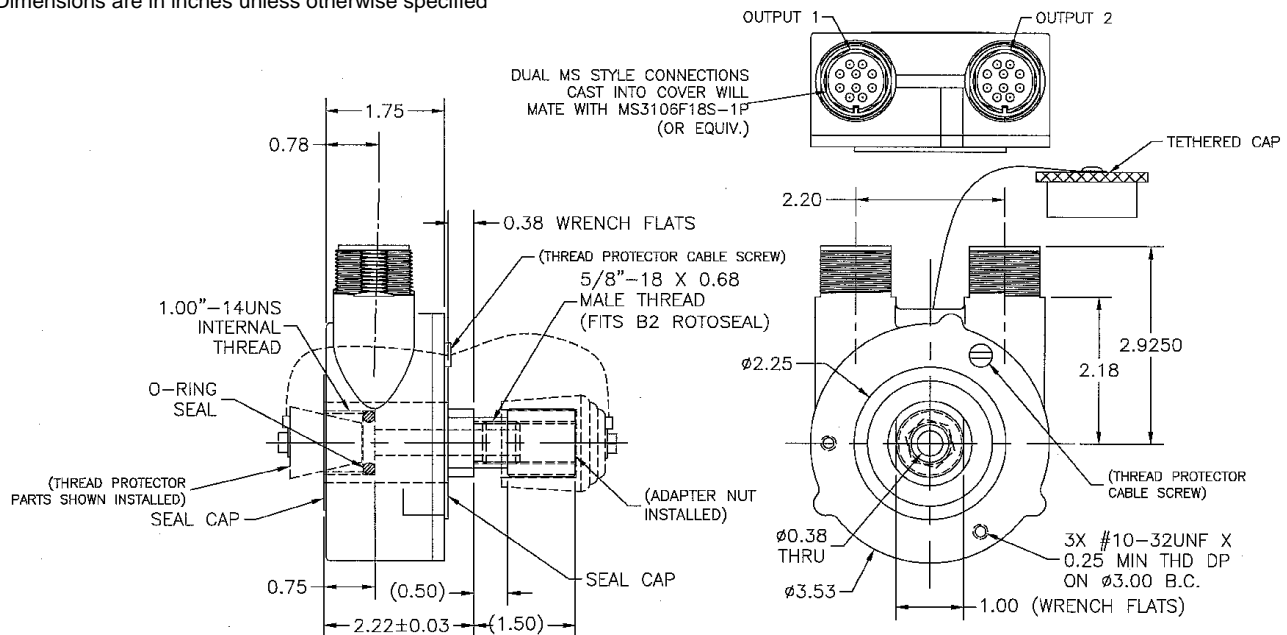
CCW Increasing Count Viewing Face



ORDERING NOTE

When ordering the dual output option include "D" in the designation for output termination on your model number. Example:
HS35F-1-14-R2-SS-2048-ABZC-5V/V-DM18-EX

Dimensions are in inches unless otherwise specified



These commodities, technology or software if exported from the United States must be in accordance with the Bureau of Industry, and Security, Export Administration regulations. Diversion contrary to U.S law is prohibited.



Tel: 805-968-0782 / 800-350-2727 | Fax: 805-968-3154 / 800-960-2726
 7230 Hollister Ave., Goleta, CA 93117 | www.beisensors.com
 Rev. 06/11